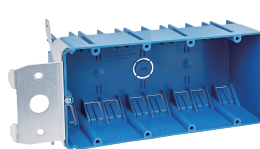
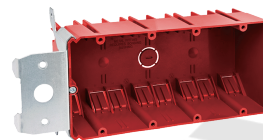


## AMERICAN PLASTIC BOX

<b>MODEL NUMBER</b>	<b>APB468-ADJ</b>
<b>CUBIC CAPACITY</b>	68 Cubic Inches
<b>DESCRIPTION</b>	New Work; 4-Gang; Adjustable Bracket Mounting; For Use With Non-Metallic Sheathed Cable. With Twelve Integral Clamps
<b>MATERIAL</b>	PPO
<b>MOUNTING MEANS</b>	Adjustable Bracket
<b>PRODUCTS SIZE L×W×D</b>	7.72"×3.65"×3.00"
<b>OUTER BOX SIZE L×W×D(CM)</b>	60×35.5×24.5
<b>STD. CTN. QTY.</b>	30 Pcs
<b>CERTIFICATIONS</b>	ISO9001, ISO14001, ETL5010519, 2-hour fire rating
<b>COLOR</b>	Blue, Gray, Red, Black..... Various Colors Can Be Customised



Blue



Red

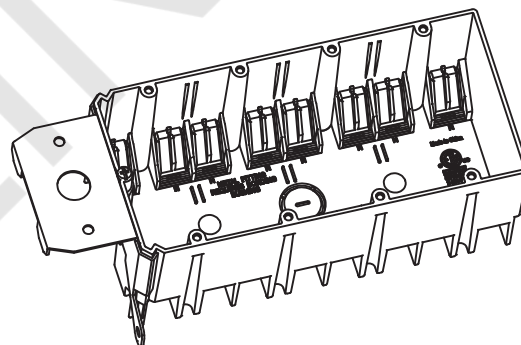


Gray



Black

Various Colors Can Be Customised



## FEATURES & BENEFITS

- Designed and listed for use with non-metallic sheathed cable in accordance with Article 314 of the National Electrical Code®, they make fast work of any residential or light commercial application.
- Non-metallic boxes feature PPO construction for easier installation, greater performance and lower installation cost.
- All PPO boxes are permissible for use with 90° C connectors.
- Wiring System Non-metallic sheathed cable.
- Various Colors Can Be Customised.
- ETL Listed and carries a 2-hour fire rating.

