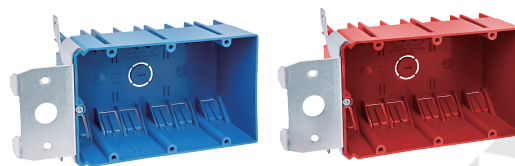


AMERICAN PLASTIC BOX

MODEL NUMBER	APB349-ADJ
CUBIC CAPACITY	49 Cubic Inches
DESCRIPTION	New Work; 3-Gang; Adjustable Bracket Mounting; For Use With Non-Metallic Sheathed Cable. With Twelve Integral Clamps
MATERIAL	PPO
MOUNTING MEANS	Adjustable Bracket
PRODUCTS SIZE L×W×D	5.90"×3.65"×3.00"
OUTER BOX SIZE L×W×D(CM)	51×35.5×24.5
STD. CTN. QTY.	30 Pcs
CERTIFICATIONS	ISO9001, ISO14001, ETL5010519, 2-hour fire rating
COLOR	Blue, Gray, Red, Black..... Various Colors Can Be Customised



Blue

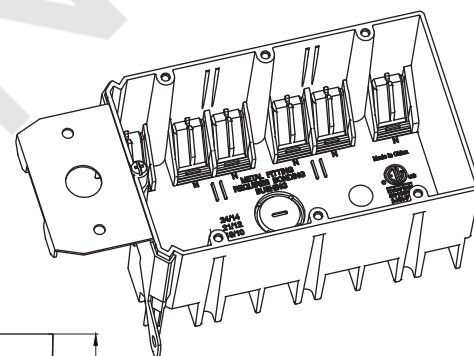
Red



Gray

Black

Various Colors Can Be Customised



FEATURES & BENEFITS

- Designed and listed for use with non-metallic sheathed cable in accordance with Article 314 of the National Electrical Code®, they make fast work of any residential or light commercial application.
- Non-metallic boxes feature PPO construction for easier installation, greater performance and lower installation cost.
- All PPO boxes are permissible for use with 90° C connectors.
- Wiring System Non-metallic sheathed cable.
- Various Colors Can Be Customised.
- ETL Listed and carries a 2-hour fire rating.

