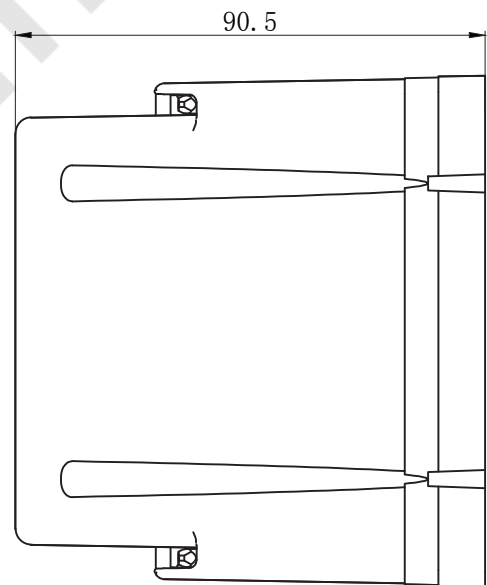
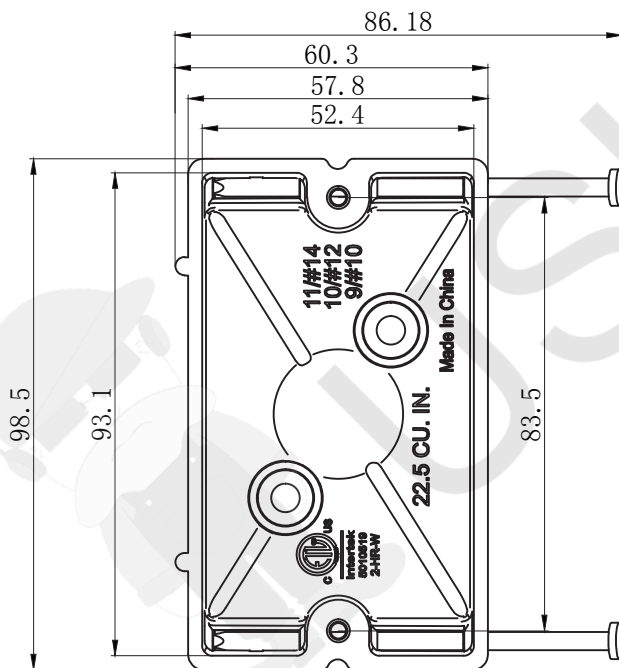
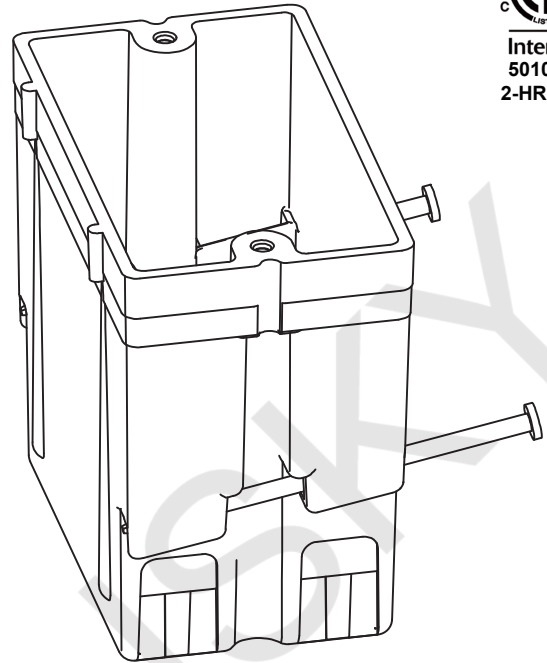
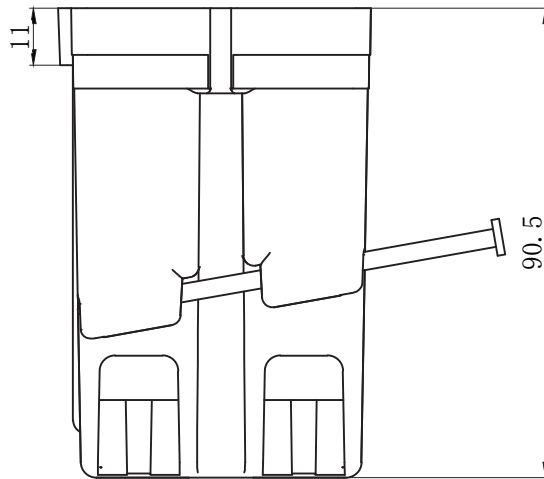


受控文件



Note:

- 1.Support Nails Included.
- 2.The material is BMC.

General Notes	Model Item No.	FG01N	Date	2022/01/25
1.ALL DIMENSIONS ARE FOR REFERENCE ONLY. 2.DIMENSIONS IN BRACKETS () ARE IN METRIC UNITS.	Description	This 1-Gang 22.5 cu. in. Switch or Receptacle Box is suitable for use in New Work applications. Also it's easily mounted with nail on - angled mid nails which are pre set on the box. This premium box features fiberglass construction, is ETL listed and carries a 2-hour fire rating.		