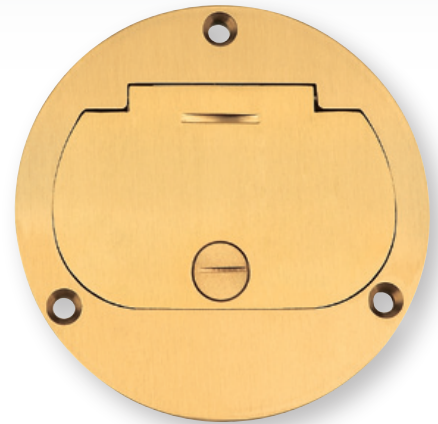
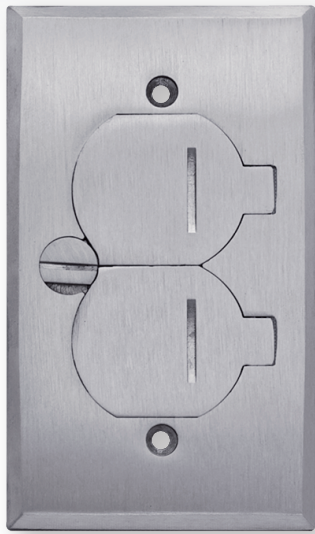




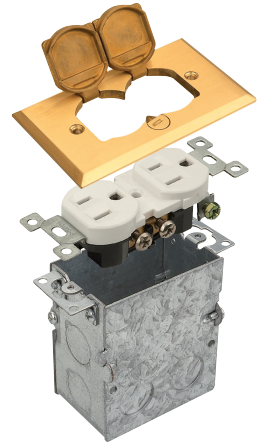
FLOOR BOX



FLOOR PLATE, ROUND BOXES AND POP-UP TYPE FLOOR BOX

Specifications & Features

- Watertight gasket and corrosionresistant hardware assure long life and reliable performance.
- Covers are available for a variety of applications.
- The same box depth simplifies ordering and reduces inventory.
- For tile and carpet applications.
- Cover options include: Brass, Stainless Steel & Aluminum.
- The US type functors are UL listed.





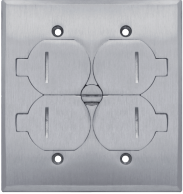
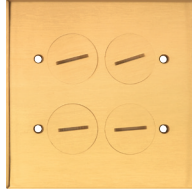



1-Gang Box Covers

CATALOG	PANEL MATERIAL	DESCRIPTION
LT422PC	Brass Alloy	Recessed Floor Plate Flip Lid Assembly (Duplex Receptacle)
LT422PA	Alu-Alloy	
LT422PS	Stainless Steel	
LT421SC	Brass Alloy	Recessed Floor Plate Assembly (Single Receptacle)
LT421SA	Alu-Alloy	
LT421SS	Stainless Steel	
LT422SC	Brass Alloy	Recessed Floor Plate Assembly (Duplex Receptacle)
LT422SA	Alu-Alloy	
LT422SS	Stainless Steel	

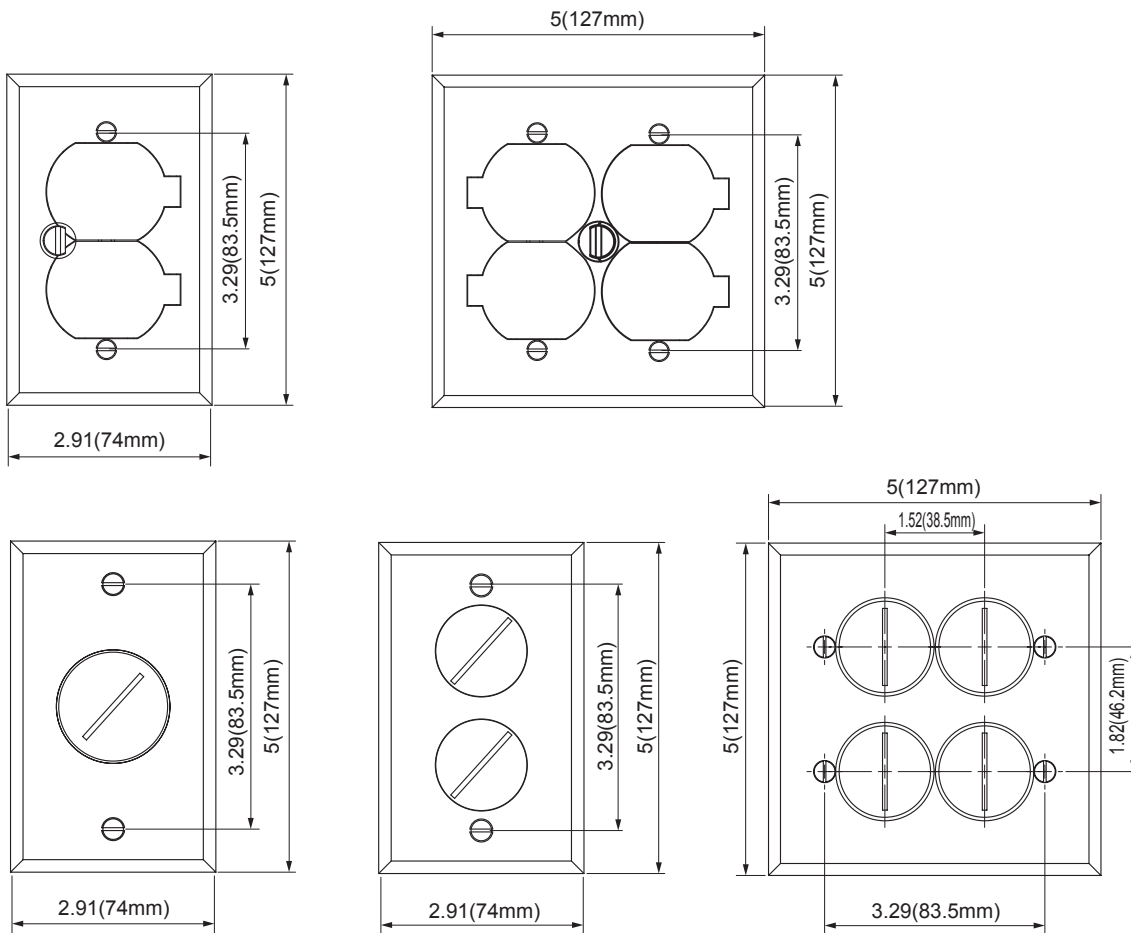
2-Gang Box Covers

CATALOG	PANEL MATERIAL	DESCRIPTION
LT444PC	Brass Alloy	Two Gang, Divided, Recessed, Floor Plate Assembly with Four Flip Lids
LT444PA	Alu-Alloy	
LT444PS	Stainless Steel	
LT444SC	Brass Alloy	Two Gang, Divided, Recessed, Floor Plate Assembly
LT444SA	Alu-Alloy	
LT444SS	Stainless Steel	



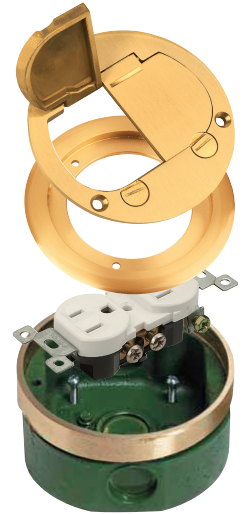
				
LT422SS	LT444PC	LT444PS	LT444SC	LT444SS
				
590	590-2			

Dimensions:



Specifications & Features

- Watertight gasket and corrosionresistant hardware assure long life and reliable performance.
- Covers are available for a variety of applications.
- The same box depth simplifies ordering and reduces inventory.
- For tile, floor and carpet application.
- Cover options include: Brass, Stainless Steel, Aluminum & PVC.
- The US type functors are UL listed

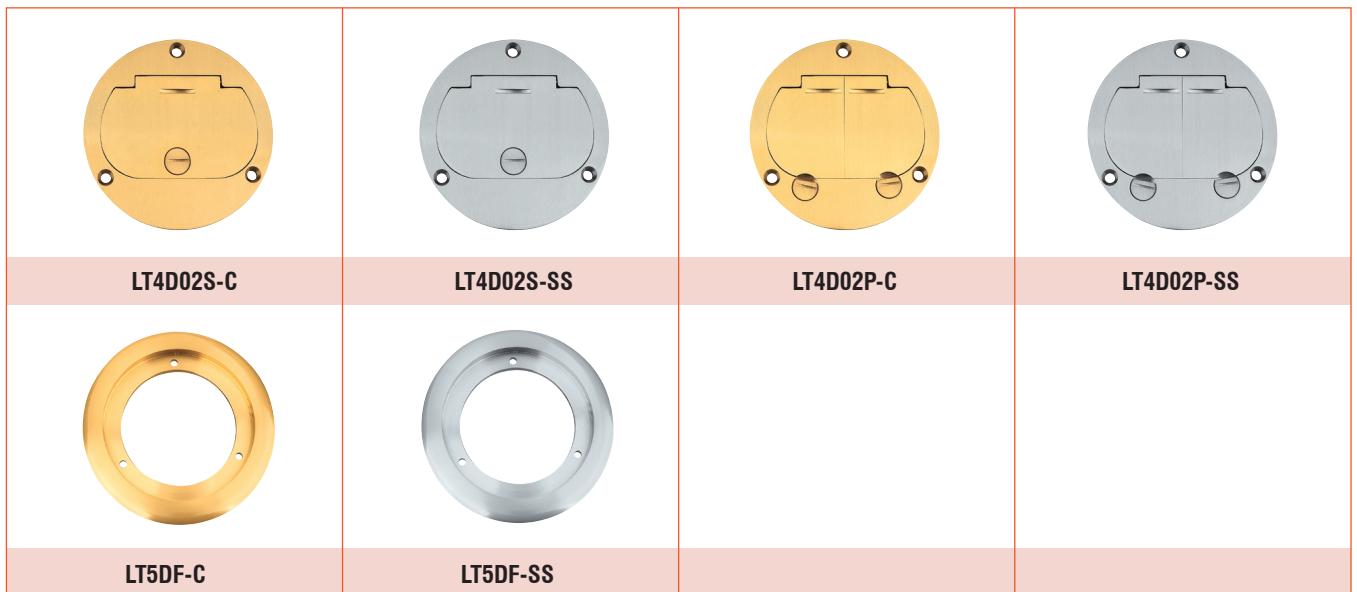


Round Box Covers

CATALOG	PANEL MATERIAL	DESCRIPTION
LT4D02S-C	Brass Alloy	Hinged Cover (1/4" thick) for Duplex
LT4D02S-A	Alu-Alloy	
LT4D02S-SS	Stainless Steel	
LT4D02P-C	Brass Alloy	Dual Hinged Cover (1/4" thick) for Duplex
LT4D02P-A	Alu-Alloy	
LT4D02P-SS	Stainless Steel	

Work With Round Box Covers Listed Above

CATALOG	PANEL MATERIAL	DESCRIPTION
LT5DF-C	Brass Alloy	Flange 5 1/4" Dia.
LT5DF-A	Alu-Alloy	
LT5DF-SS	Stainless Steel	

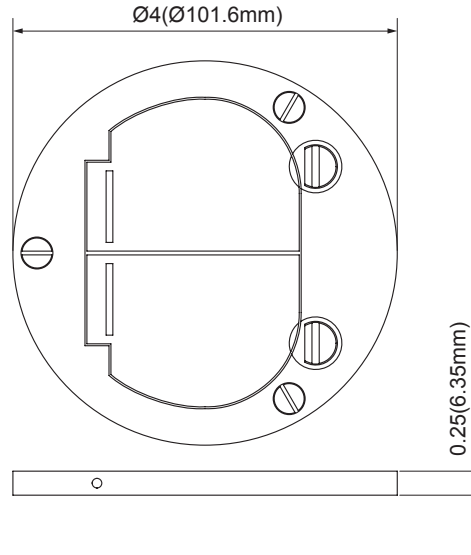
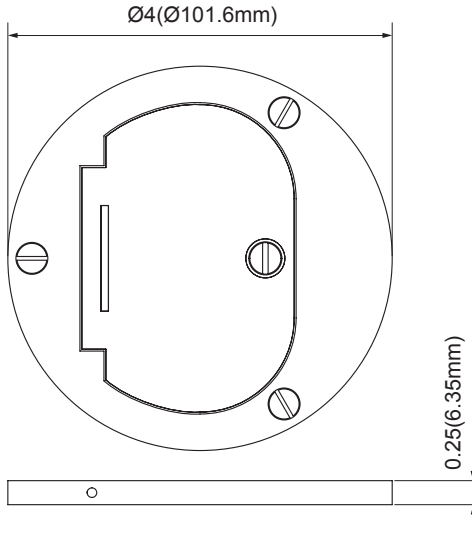


Floor Plate

USLINSKY®

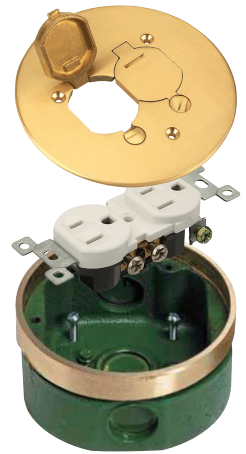


Dimensions:



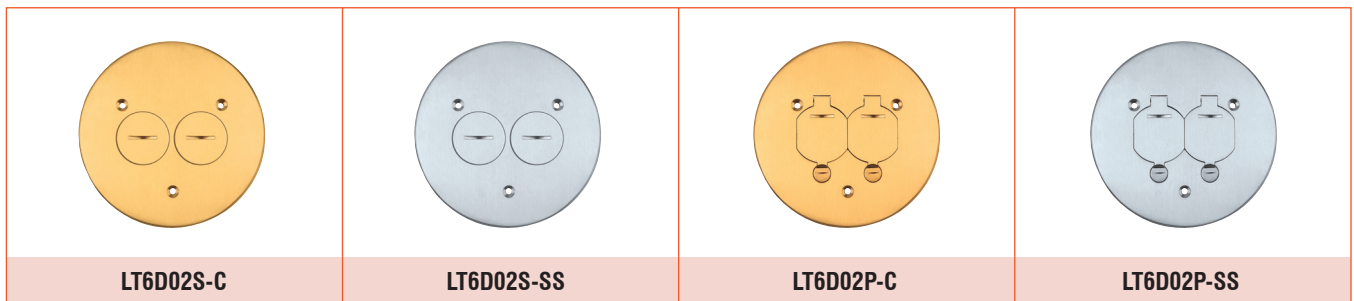
Specifications & Features

- Watertight gasket and corrosionresistant hardware assure long life and reliable performance.
- Covers are available for a variety of applications.
- The same box depth simplifies ordering and reduces inventory.
- For tile, floor and carpet application.
- Cover options include: Brass, Stainless Steel, Aluminum & PVC.
- The US type functors are UL listed

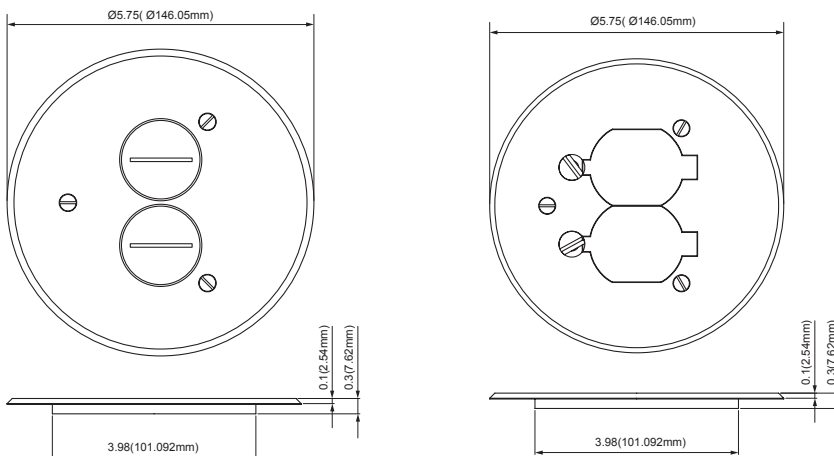


Round Box Covers

CATALOG	PANEL MATERIAL	DESCRIPTION
LT6D02S-C	Brass Alloy	5-3/4" Flanged Cover, with (2) 1-1/2", Screw Plugs for Duplex Power or Comm./Data
LT6D02S-A	Alu-Alloy	
LT6D02S-SS	Stainless Steel	
LT6D02P-C	Brass Alloy	5-3/4" Seamless Flanged Cover, with Dual Flip Lid and Duplex Mount. PLT.
LT6D02P-A	Alu-Alloy	
LT6D02P-SS	Stainless Steel	



Dimensions:



Round Boxes, Adjustable

CATALOG	DESCRIPTION	DIMENSIONS		ADJUST BEFORE	ADJUST AFTER	INTERIOR CAPACITY	CONDUIT OPENINGS	MAX TAP
		A	B					
432	Deep, cast box, fully adjustable	4-1/4"	3-7/8"	×	3/8"	32 Cu. In.	Sides (4) 3/4"	1-1/4"
424	Shallow, cast box, fully adjustable	4-1/4"	3"	×	3/8"	24 Cu. In.	Sides (4) 3/4"	1-1/4"
442	Extra deep, cast box, fully adjustable	4-1/4"	4-3/4"	×	1/2"	42 Cu. In.	Sides (4) 3/4"	2"
412S	Shallow, cast box, semi adjustable	4-1/4"	2"	1"	×	12 Cu. In.	Sides (4) 3/4"	1"
412C	Core drill cast box, semi adjustable	4-1/4"	2"	1/2"	×	12 Cu. In.	Sides (4) 3/4"	1"



Standard Pop-up Type Floor Box

USLINSKY®



Specifications & Features

- Panel material: Brass alloy, Alu alloy, Imitation stainless steel & Stainless steel
- Surface treatment: Polishing, Passivation, Painting
- Interface size: 3 Modules
- Basebox material: Galvanized steel & Nickel plated steel
- US type functors are UL listed
- Need to choose junction box and functor in order



Part specifications of metal cover

CATALOG	PANEL MATERIAL	OPEN STYLE
LT551244-C	Brass Alloy	Normal Pop-up
LT551244-A	Alu-Alloy	Normal Pop-up
LT551244-IS	Imitation Stainless Steel	Normal Pop-up
LT551244-SS	Stainless Steel	Normal Pop-up
LT551244S-C	Brass Alloy	Soft Pop-up
LT551244S-A	Alu-Alloy	Soft Pop-up
LT551244S-IS	Imitation Stainless Steel	Soft Pop-up
LT551244S-SS	Stainless Steel	Soft Pop-up



LT551244-C

- Panel Size: 4.724×4.724 (120×120mm)
- Brass Alloy

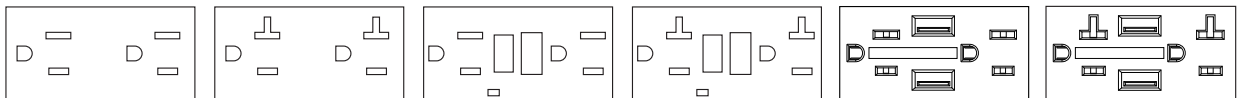


LT551244-SS

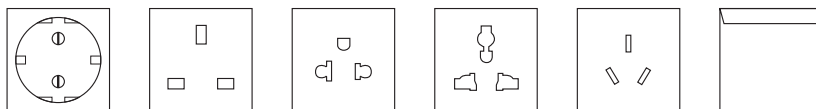
- Panel Size: 4.724×4.724 (120×120mm)
- Stainless Steel

Specification: An arbitrary combination of functional parts.

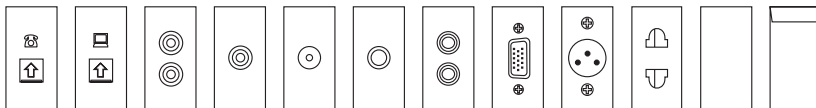
US type functor



2 module functor



1 module functor



STANDARD POP-UP TYPE FLOOR BOX

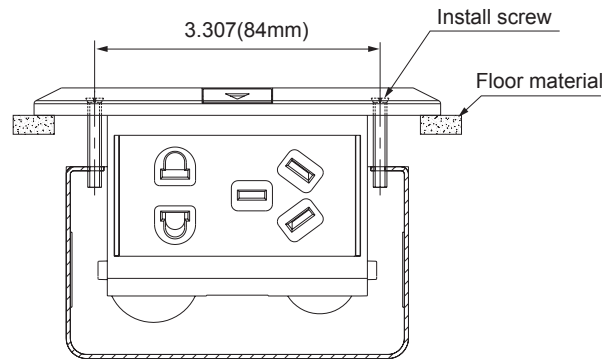
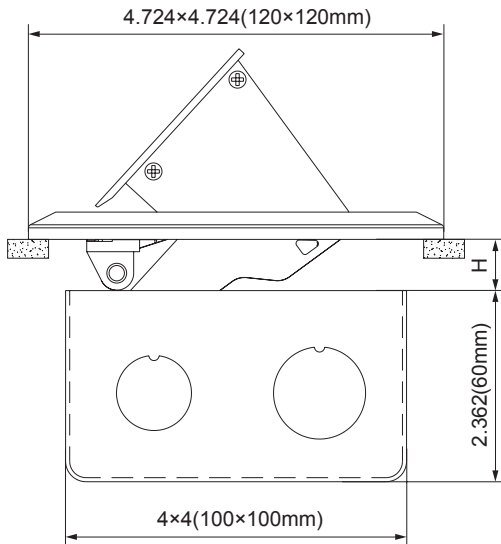


Standard Pop-up Type Floor Box

USLINSKY®



Dimensions:



Round Pop-up Type Floor Box



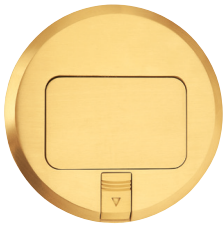
Specifications & Features

- Panel material: Brass alloy, Alu alloy, Imitation stainless steel & Stainless steel
- Surface treatment: Polishing, Passivation, Painting
- Interface size: 3 Modules
- Basebox material: Galvanized steel & Nickel plated steel
- US type functors are UL listed
- Need to choose junction box and functor in order



Part specifications of metal cover

CATALOG	PANEL MATERIAL	OPEN STYLE
LT1504D-C	Brass Alloy	Normal Pop-up
LT1504D-A	Alu-Alloy	Normal Pop-up
LT1504D-IS	Imitation Stainless Steel	Normal Pop-up
LT1504D-SS	Stainless Steel	Normal Pop-up
LT1504DS-C	Brass Alloy	Soft Pop-up
LT1504DS-A	Alu-Alloy	Soft Pop-up
LT1504DS-IS	Imitation Stainless Steel	Soft Pop-up
LT1504DS-SS	Stainless Steel	Soft Pop-up



LT1504D-C

- Panel Size: 6×6 (150×150mm)
- Brass Alloy

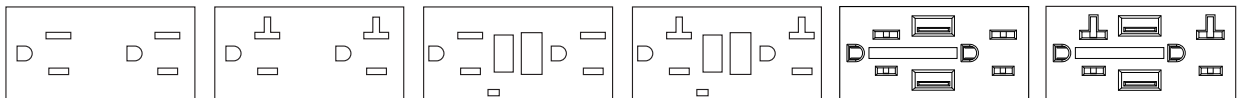


LT1504D-SS

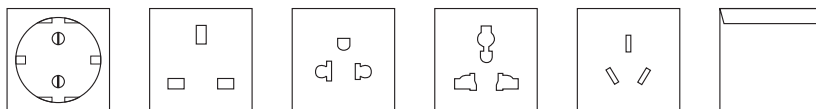
- Panel Size: 6×6 (150×150mm)
- Stainless Steel

Specification: An arbitrary combination of functional parts.

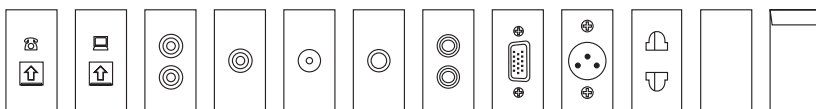
US type functor



2 module functor



1 module functor

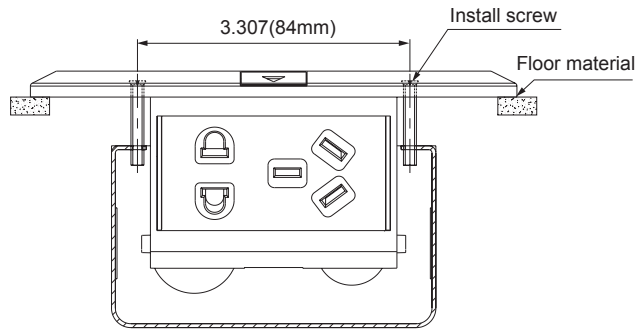
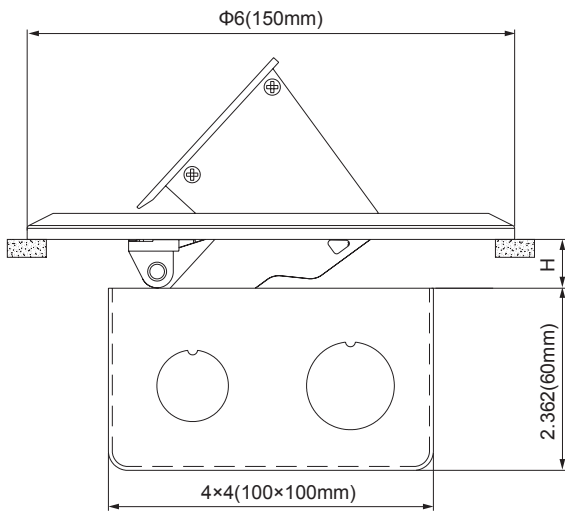


Round Pop-up Type Floor Box

USLINSKY®



Dimensions:




ROUND POP-UP TYPE FLOOR BOX




USLINSKY®

SHANGHAI LINSKY ELECTRICAL CO.,LTD

 +86-21-67107908

 sales@linsky.cn

 www.shlinsky.com

 Office Add: Room 1002, #2 Building, Phoenix Creativity Valley,
Lane 1588 Huhang Highway, Fengxian District, SH
Factory Add 1: No.29 Lane 1888 Daye Highway, Fengxian District, SH
Factory Add 2: Tai Seng Bavet Sez, National Road No. 01, Prey Phdaov
Village, Chrak Mtes Commune, Bavet City, Svay Rieng Province, Cambodia